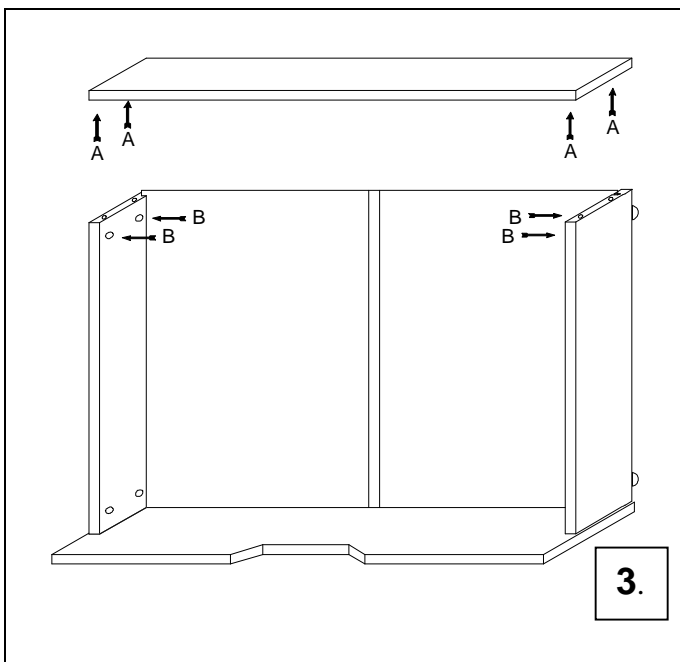
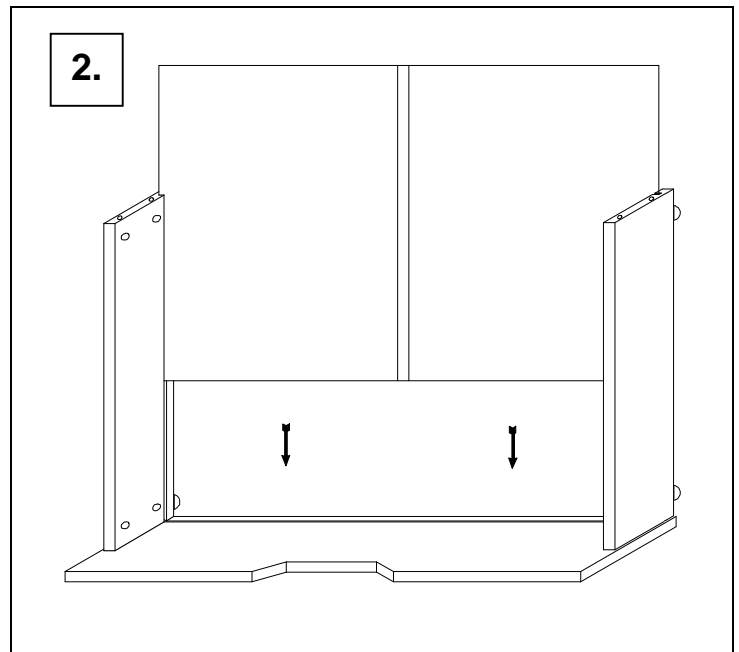
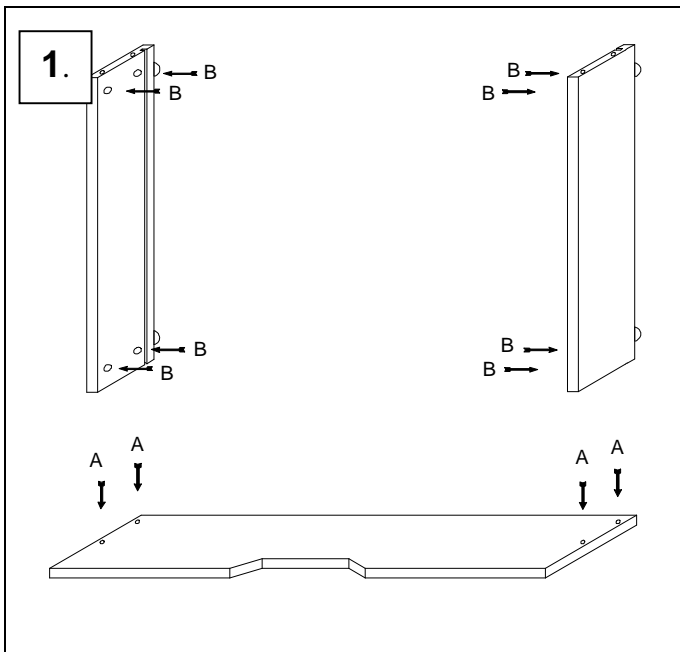
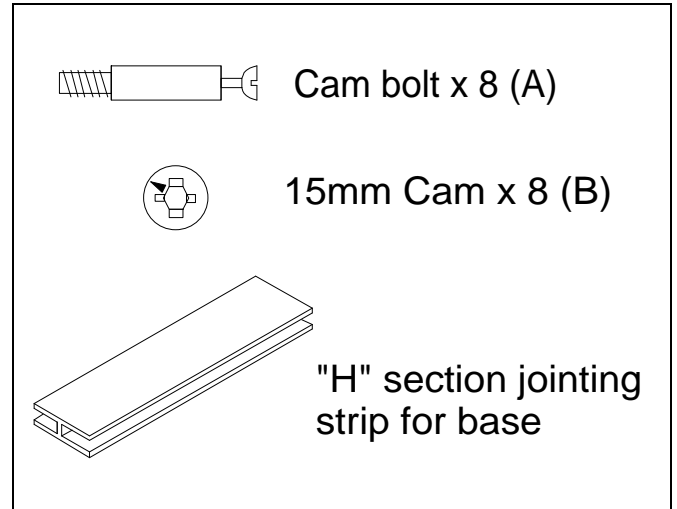
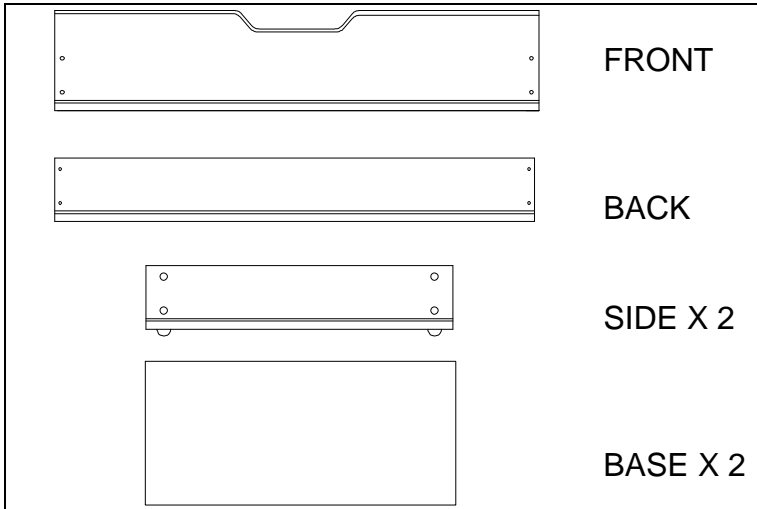


ASSEMBLY INSTRUCTIONS FOR UNDERBED DRAWER

Please read & check through these instructions carefully before proceeding with assembly.

BOX CONTENTS:-



- Place drawer front face down on a clean surface to prevent scratching, screw in cam bolts **A**.
- Insert Cams **B** into sides, attach to front and lock by turning cam **B** clockwise. (See 1)
- Slide drawer base into position using the "H" section-jointing strip (as in 2 above).
- After screwing the remaining Cam bolt **A** into the drawer back, align the base to the grooves and assemble as before by locking the cams **B** turning clockwise. (see 3)

This product is manufactured in the UK using high quality Scandinavian redwood. As such, you may find small knot or surface defects that are inherent with a natural resource and in no way compromises functionality. Whilst every effort is made to ensure this product reaches in good condition, in the unlikely event you find a problem with any component, please do not attempt to assemble and contact your retailer. We cannot accept liability once an attempt to assemble has been made.