

COMPONENTS;

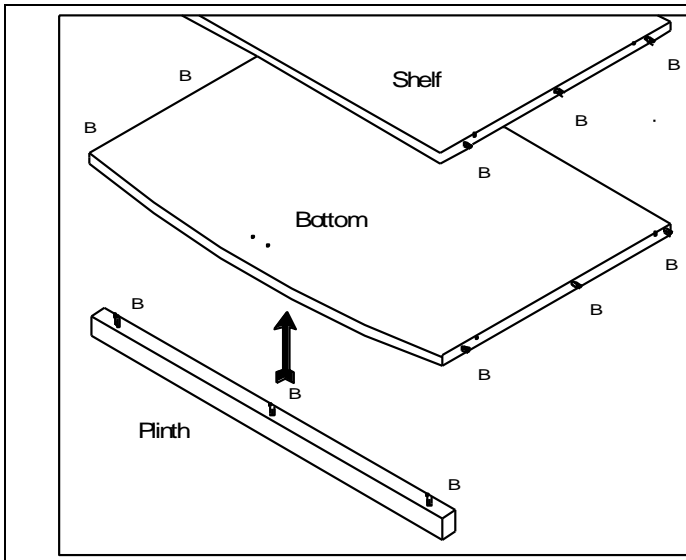
- 1 x RH side
- 1 x LH side
- 1 x Bottom
- 1 x bottom plinth
- 2 x rear top & bottom bracing rails
- 1 x Shelf
- 1 x Top
- 2 x 3mm thick back panels
- 2 x robe door (Separate box)
- 1 x box fittings (Contents as below)



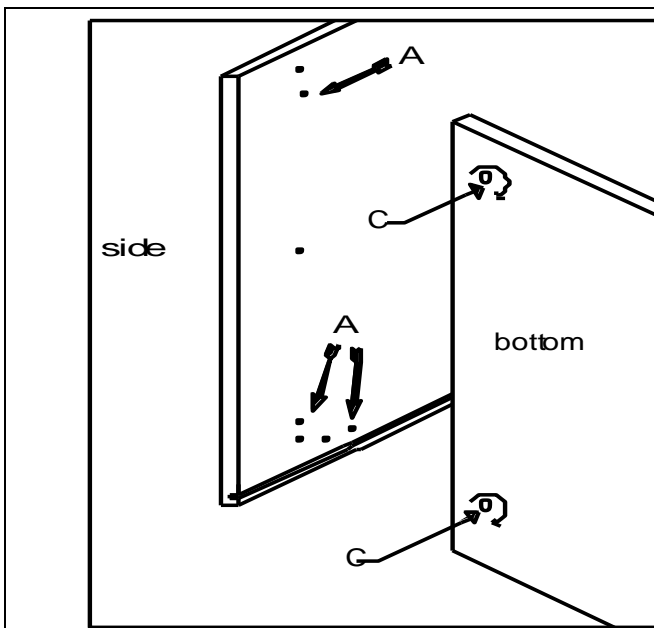
Tool required

	16 x cam bolt	A		31 x 8mm dowel (pre-inserted)	B
	16 x cam	C		2 x hanging rail bracket	D
	1 x hanging rail	E		1 x "H" profile rear panel connector	F
	14 x 15mm screw	G		2 x striking plate	H
	4 x hinge	I		4 x hinge mounting plate	J
	6 x rear panel connector	L			

Please read & check through these instructions before proceeding with assembly.

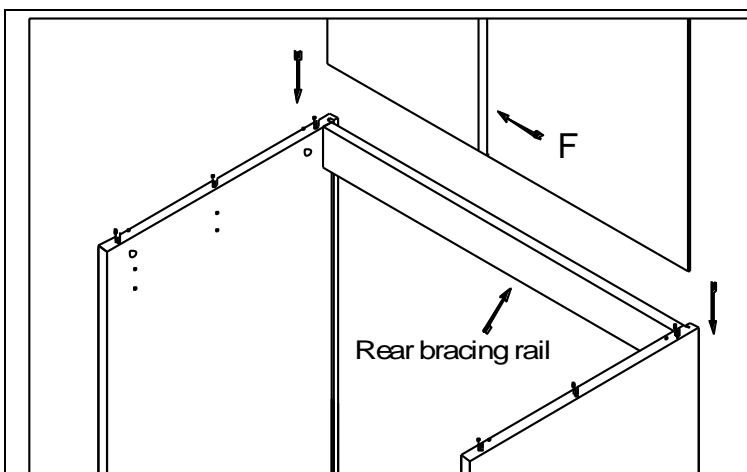


1. Press fit plinth into underside of bottom, locating pre-inserted plinth dowels (B) into holes in bottom panel.

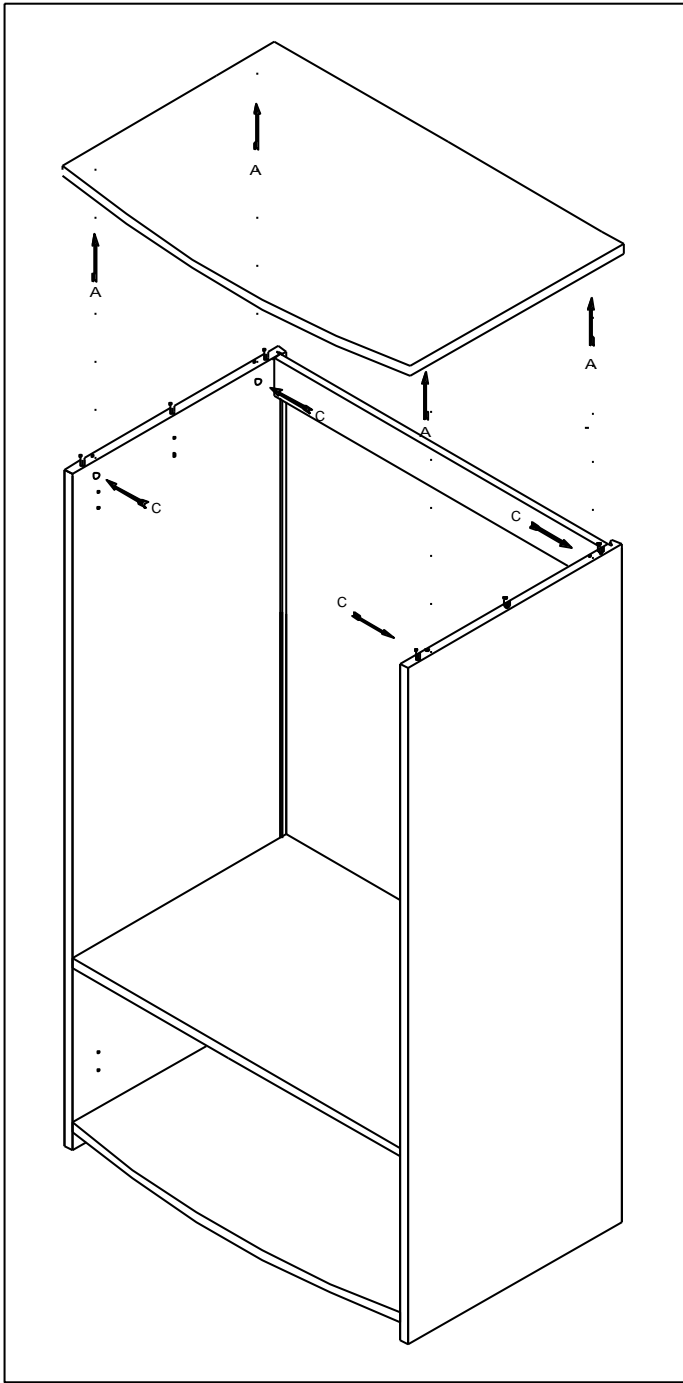


2. Insert cam bolt A to 5mm holes on robe sides. Insert cam C to 15mm holes on shelf, bottom and the rear bracing rails. Lay sides on back edge and fit bottom, shelf and top and bottom rear bracing rails. (You may wish to fit the bracing rails with the cam to the back of the unit so they are unseen when the unit is complete).

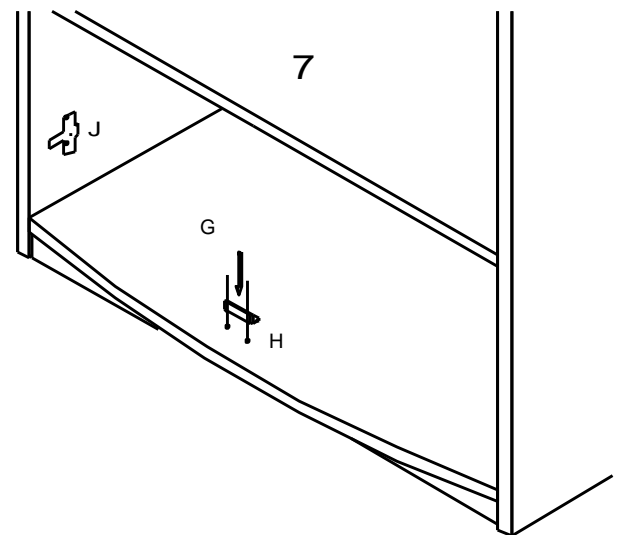
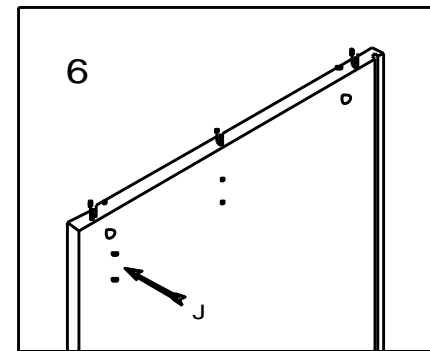
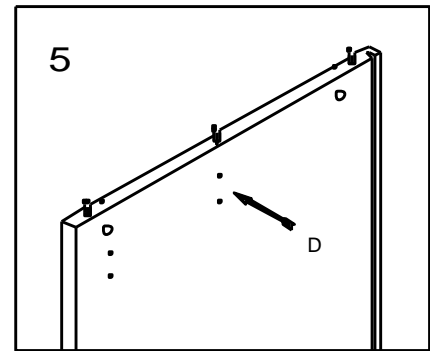
Turn cams clockwise to lock



3. Using rear panel connector strip (F), slide back panels into groove at the rear of the carcass. They will be a little proud at the top – this will slot into the robe top later.



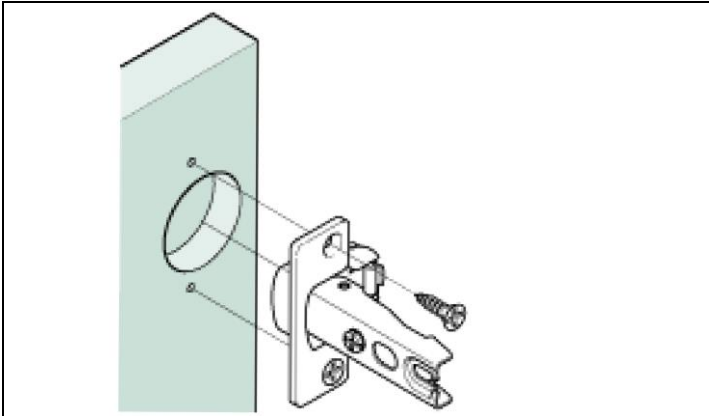
4. With care, lay the robe top upside down on a clean surface to insert cam bolt (A) into the four 5mm holes. Insert the cam (C) into the 15mm holes at the top of robe sides. Carefully fit the top to the sides – ensure the back slots into the groove on the top. Lock the cams by rotating clockwise as before. Nearly there!



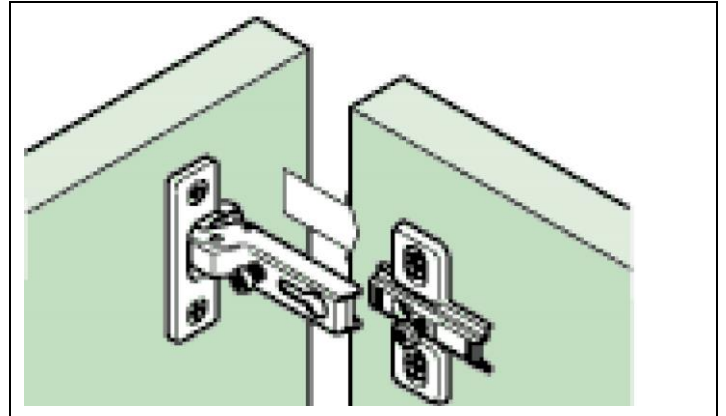
5. Attach the hanger rail bracket (D) to the holes shown above, fix with 15mm screw (G)

6. Attach hinge-mounting plate (J) to the holes shown above. Take care to ensure the longer part of the “crucifix” is to the front of the unit.

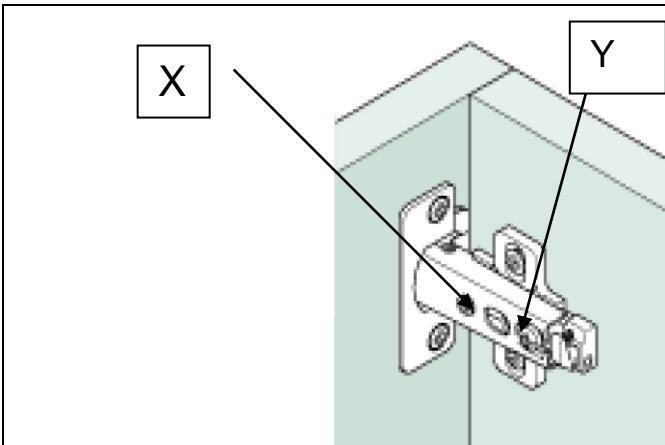
7. Fix the striking plate (H) to top & bottom using screws (G).



8. With care, fix the hinges to the doors using screw (G)



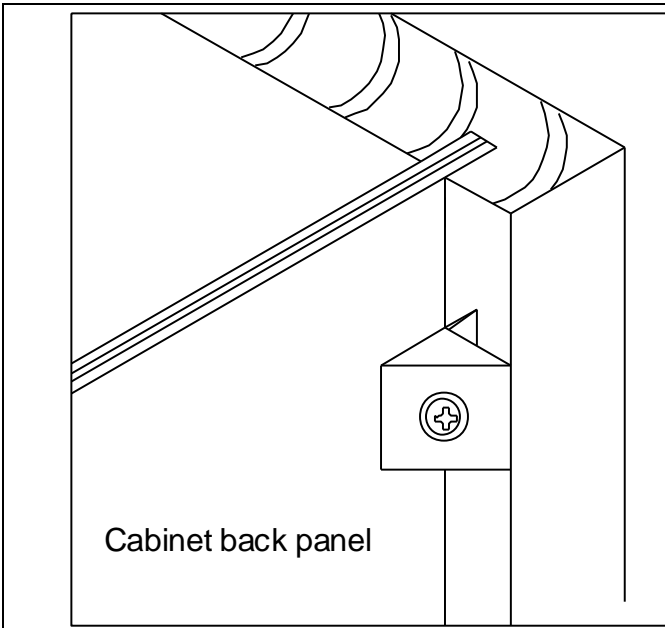
9. Fit hinge to mounting plate and tighten screw "Y" (see below)



10.
Hinge adjustment:

X – Lateral adjustment up to 3mm

Y – Vertical adjustment by mounting plate only, after loosening screw
Front to back adjustment up to 4mm



9.

For added strength and stability, the white rear panel connectors (L) can be screwed through the back panel as shown opposite.

Position the connectors: two to the top and bottom and one into each side at approximately half way.

This product is designed to conform to the latest safety regulations and we hope you will be happy with your purchase. Whist every effort is made to ensure this product reaches you in good condition, in the unlikely event you find a problem with any component, please **do not** attempt to assemble – and contact your retailer. As you will appreciate, we cannot accept liability for damage once an attempt to assemble has been made.

CLEANING: - A damp cloth should be sufficient to keep this product in good order. Please do not attempt to use abrasive cleaning materials, as this will incur damage. Thank you for choosing our product. We hope you will be happy with your purchase.