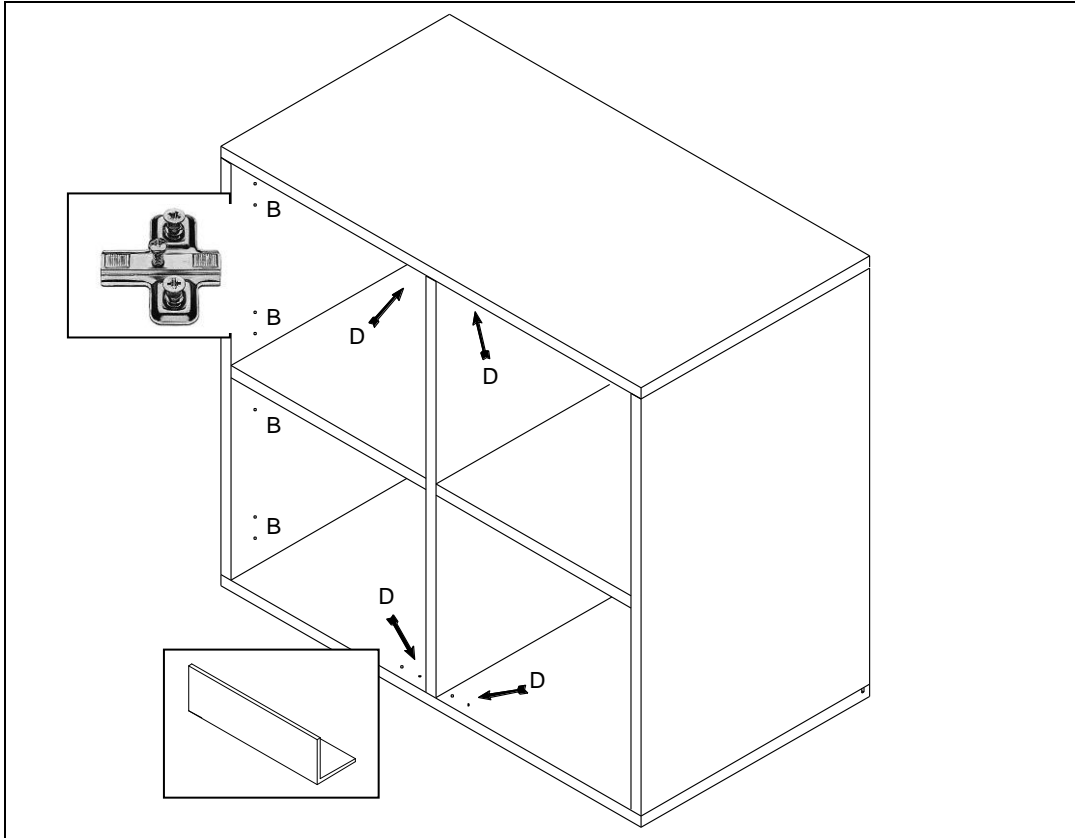


**Please read & check through these instructions carefully before proceeding with assembly.**




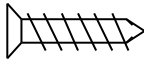
COMPONENTS;



2 X DOOR

1 x box fittings  
(Contents as below)



Tools required

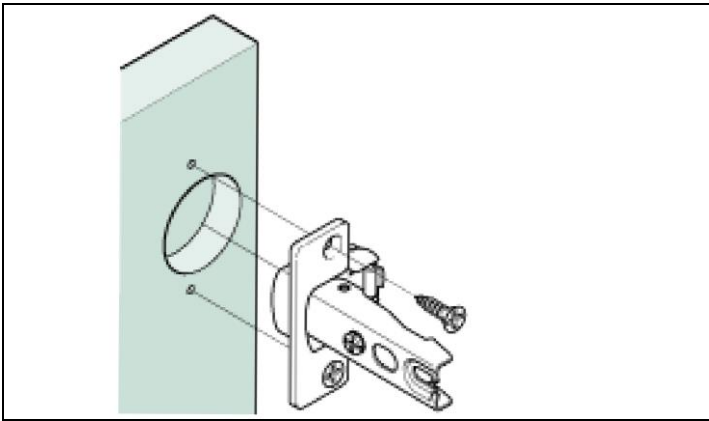
	4 x Hinge	A
	12 x 15mm screw	C

	4 x mounting plate	B
	2 x striking plate	D

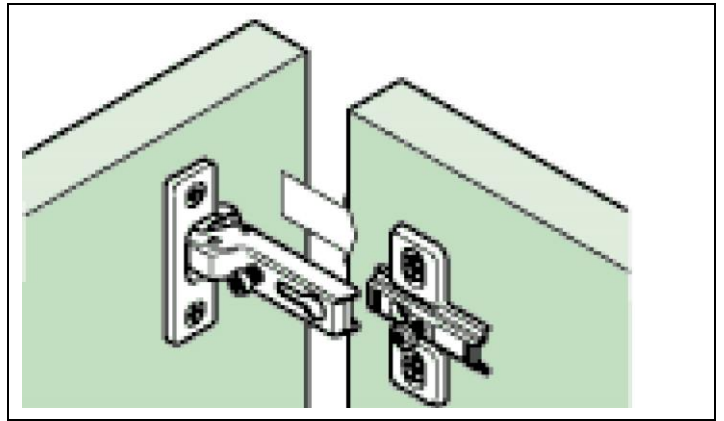
The doors can be mounted in any opening as they are not handed.

**1.** Attach hinge-mounting plate (B) to the opening where a door is required. Ensure the longer part of the “crucifix” shape is to the front of the unit.

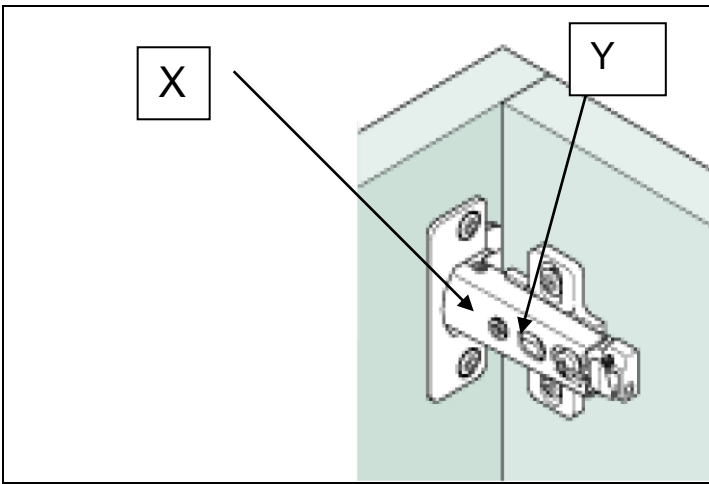
**2** Fix striking plate (D) to pilot holes on the underside of top or base of bottom using 15mm screws (C)



3. With care, fix the hinges (I) to the doors using screw (C)



4. Fit hinge to mounting plate and tighten screw "Y" (see below )



### 5. Hinge adjustment:

X – Lateral adjustment up to 3mm

Y – Vertical adjustment by mounting plate only, after loosening screw  
Front to back adjustment up to 4mm

This product is designed to conform to the latest safety regulations and we hope you will be happy with your purchase. Whist every effort is made to ensure this product reaches you in good condition, in the unlikely event you find a problem with any component, please **do not** attempt to assemble – and contact your retailer. As you will appreciate, we cannot accept liability for damage once an attempt to assemble has been made.

CLEANING: - A damp cloth should be sufficient to keep this product in good order. Please do not attempt to use abrasive cleaning materials, as this will incur damage.

Thank you for choosing our product. We hope you will be happy with your purchase.