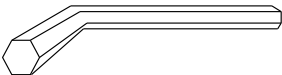

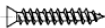


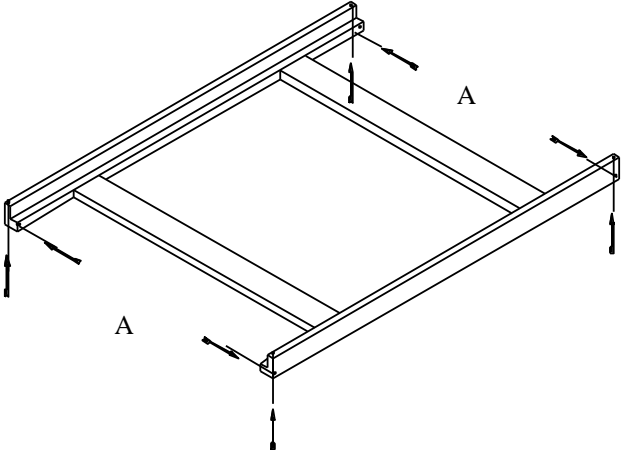


COMPONENTS: 1 Desk top, 1 x desk top carrier frame, 1 x desk shelf unit

	1 x 4mm Allen Key		4 x M6 25mm bronze bolt (B)
	4 x 40mm woodscrew (A)	 	TOOL REQUIRED.

<ul style="list-style-type: none"> Attach desktop carrier to underside of cabin bed using the 4 x 40mm woodscrews provided. The carrier can be fixed horizontally into the leg or vertically into the side rails. Slide desktop into frame ensuring the plastic stops (C) are uppermost. Attach desk shelf to the desktop using M6 bolt (B). Please note, the desktop has brass ferrules already fitted that have a plastic bullet inside to maximise grip. Take a moment to ensure these bullets are seated far enough in to allow the bolt to engage. This product is designed as a tool to stop any excuses for late homework! Please do not let your kids (or their friends) sit or stand on the top - it will break. We hope you enjoy your purchase. 	
---	--

This product is designed to conform to the latest safety regulations and we hope you will be happy with your purchase. Whist every effort is made to ensure this product reaches you in good condition, in the unlikely event you find a problem with any component, please **do not** attempt to assemble – and contact your retailer. As you will appreciate, we cannot accept liability for damage once an attempt to assemble has been made.