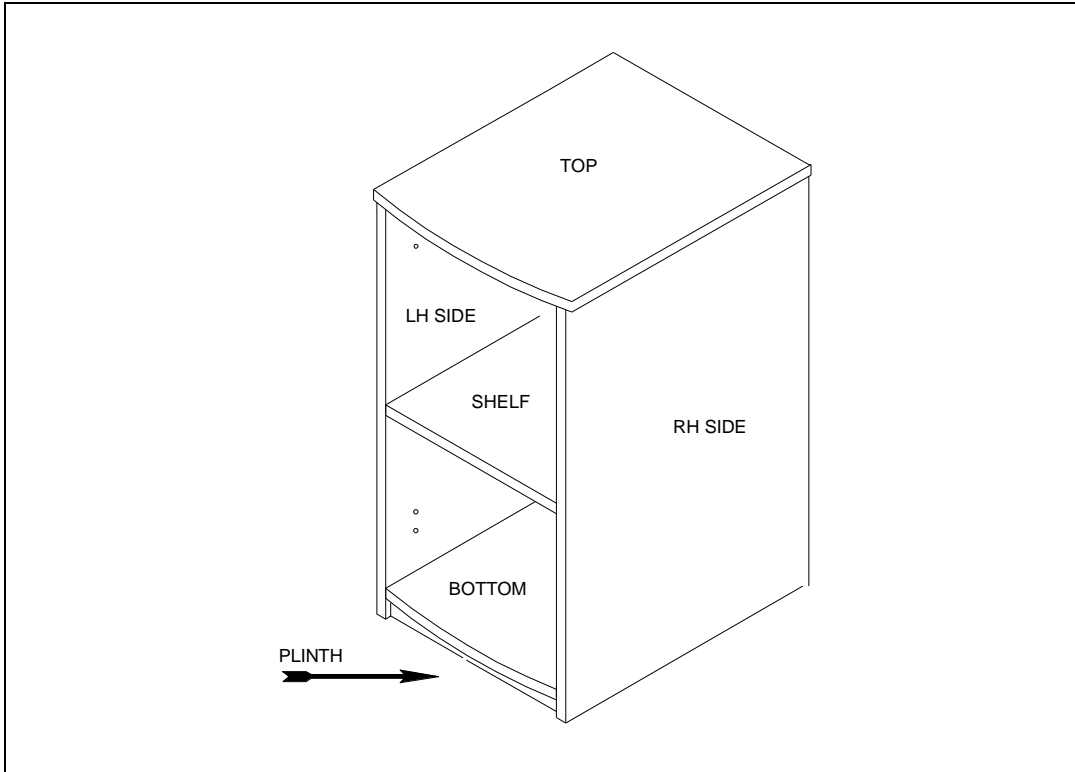




# Assembly Instructions

## Narrow Shelf



### COMPONENTS;

- 1 x RH side
- 1 x LH side
- 1 x Bottom

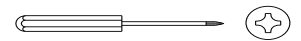
1 x bottom plinth

1 x Shelf

1 x Top

1 x 3mm thick back panel

1 x box fittings  
(Contents as below)



Tool required

	12 x cam bolt	A
	12 x cam	C

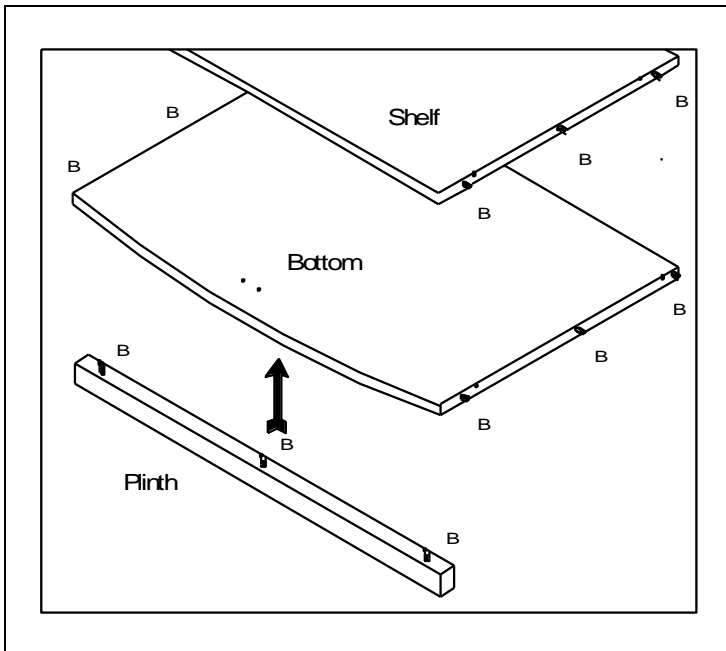
	21 x 8mm dowel (pre-inserted into panels)	B
--	---	---

Please read & check through these instructions carefully before proceeding with assembly.

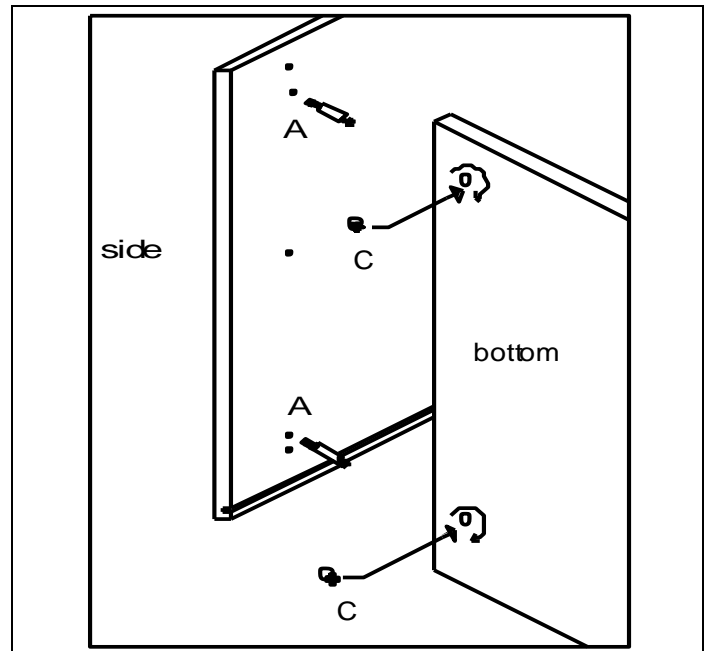
This product is designed to conform to the latest safety regulations and we hope you will be happy with your purchase. Whilst every effort is made to ensure this product reaches you in good condition, in the unlikely event you find a problem with any component, please **do not** attempt to assemble – and contact your retailer. As you will appreciate, we cannot accept liability for damage once an attempt to assemble has been made.

**CLEANING:** - A damp cloth should be sufficient to keep this product in good order. Please do not attempt to use abrasive cleaning materials, as this will incur damage.

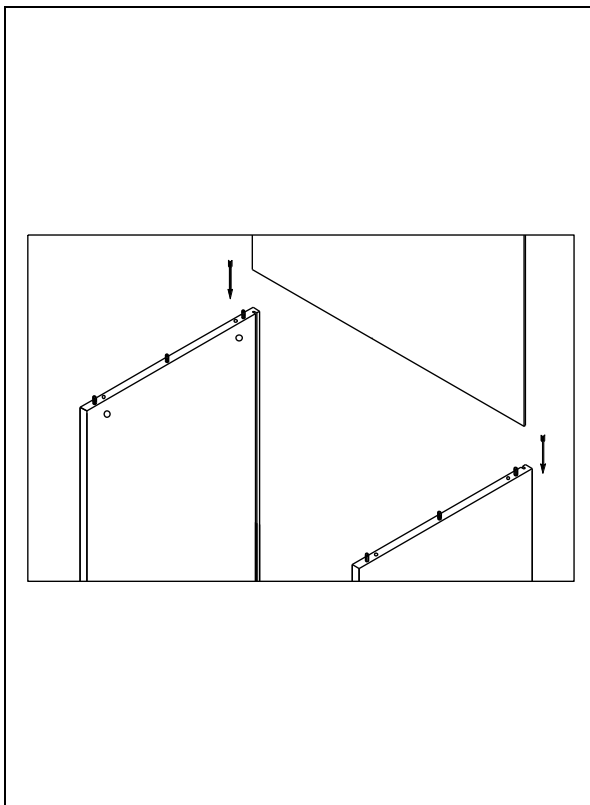
Thank you for choosing our product. We hope you will be happy with your purchase.



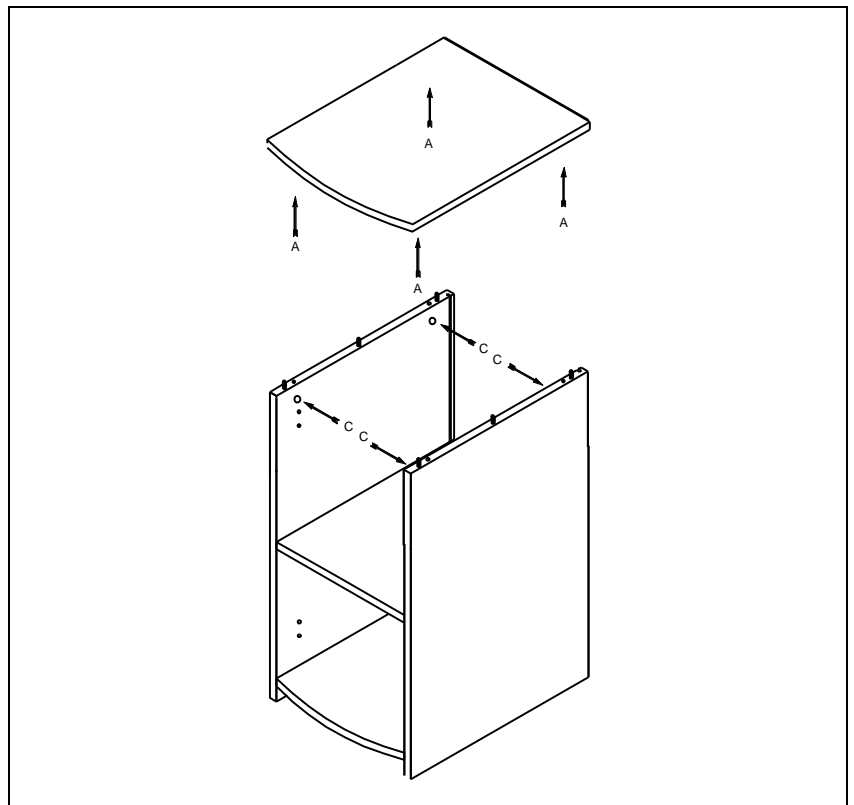
**1.** Press fit plinth into underside of bottom, locating pre-inserted plinth dowels (B) into holes in bottom panel.



**2.** Insert cam bolt A to 5mm holes on sides. Insert cam C to 15mm holes on shelf and bottom. Lay sides on back edge and fit bottom & shelf. Turn cam clockwise to lock.



**3.** Slide back panel into groove at the rear of the carcass. It will be a little proud at the top – this will slot into the top.



**4.** With care, lay the cabinet top upside down on a clean surface to insert cam bolt (A) into the four 5mm holes. Insert the cam (C) into the 15mm holes at the top of cabinet sides. Carefully fit the top to the sides – ensure the back slots into the groove on the top. Lock the cams by rotating clockwise as before.