

**COMPONENTS;**

- 1 x RH side
- 1 x LH side
- 1 x Bottom

1 x bottom plinth

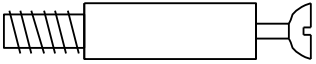

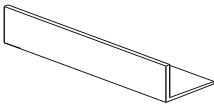


1 x Shelf

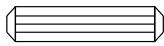
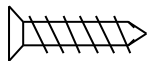
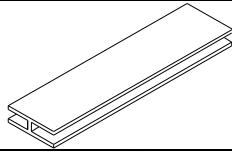

1 x Top

- 2 x 3mm thick back panels
- 2 x door
- (Separate box)
- 1 x box fittings
- (Contents as below)

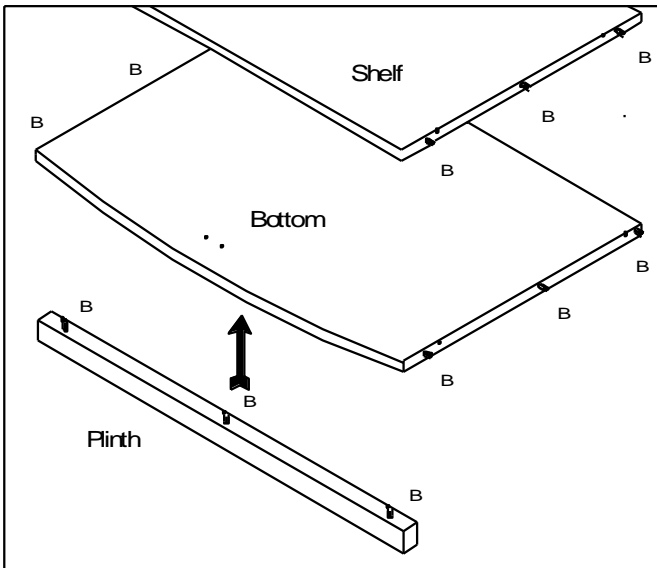


Tool required

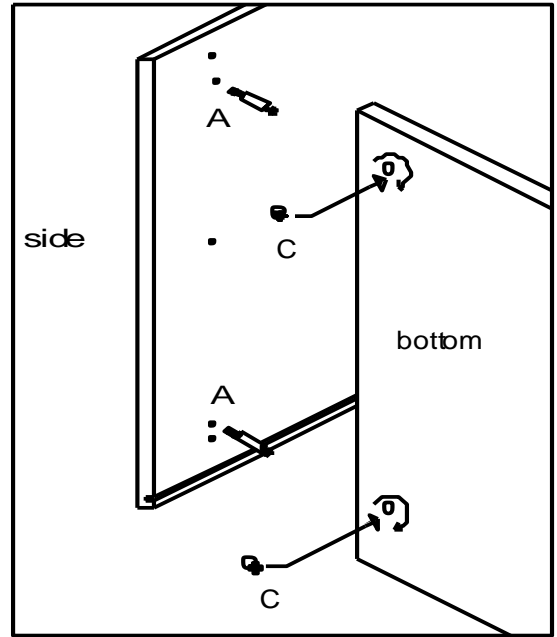
	12 x cam bolt	<b>A</b>
	12 x cam	<b>C</b>
	2 x striking plate	<b>H</b>
	4 x hinge	<b>I</b>
	6 x rear panel connector	<b>E</b>

	21 x 8mm dowel (pre-inserted)	<b>B</b>
	12 x 15mm screw	<b>G</b>
	1 x "H" profile rear panel connector	<b>F</b>
	4 x hinge mounting plate	<b>J</b>

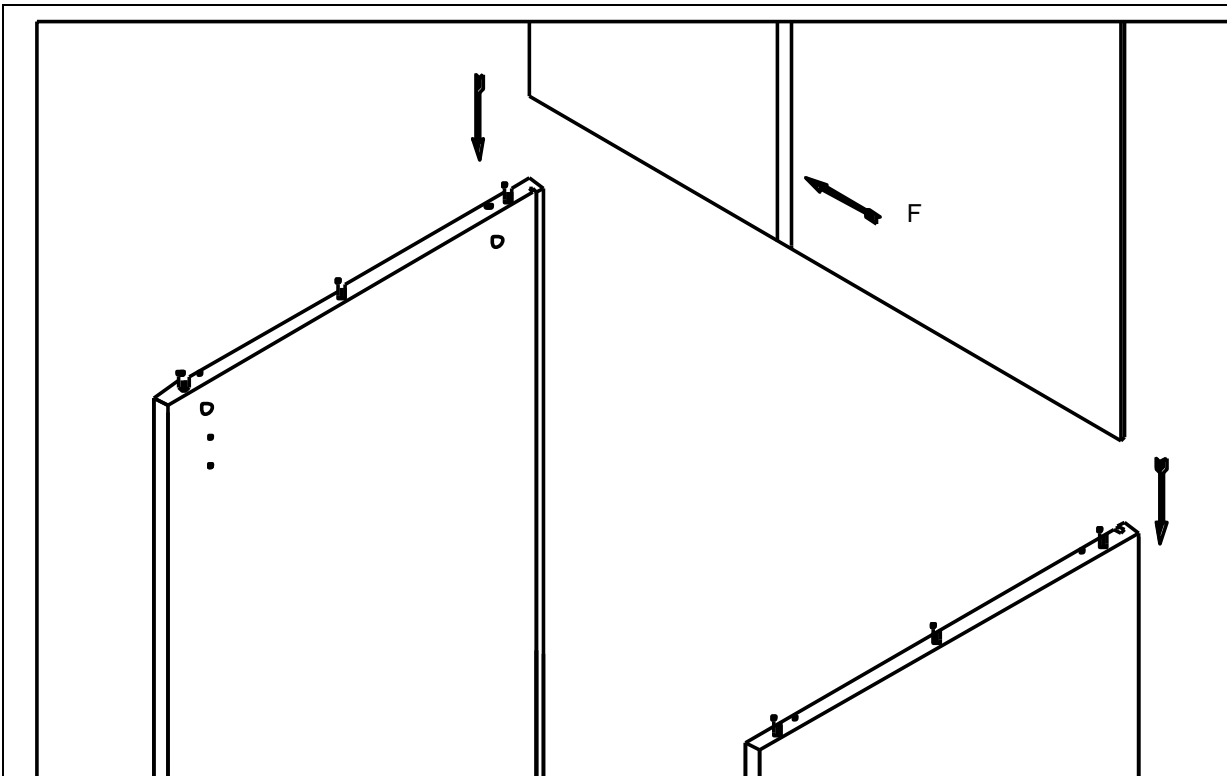
Please read & check through these instructions carefully before proceeding with assembly.



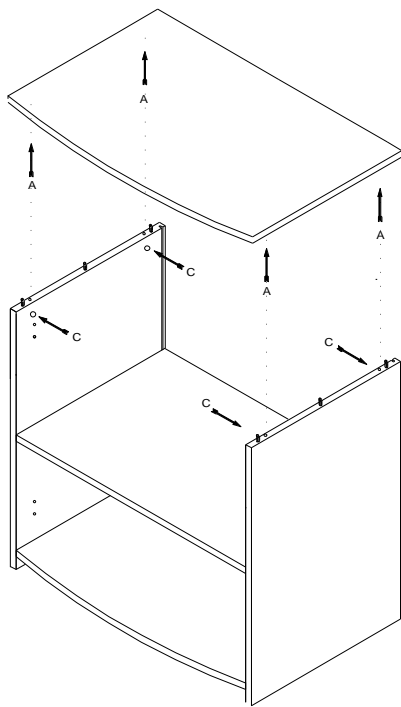
**1.** Press fit plinth into underside of bottom, locating pre-inserted plinth dowels (B) into holes in bottom panel.



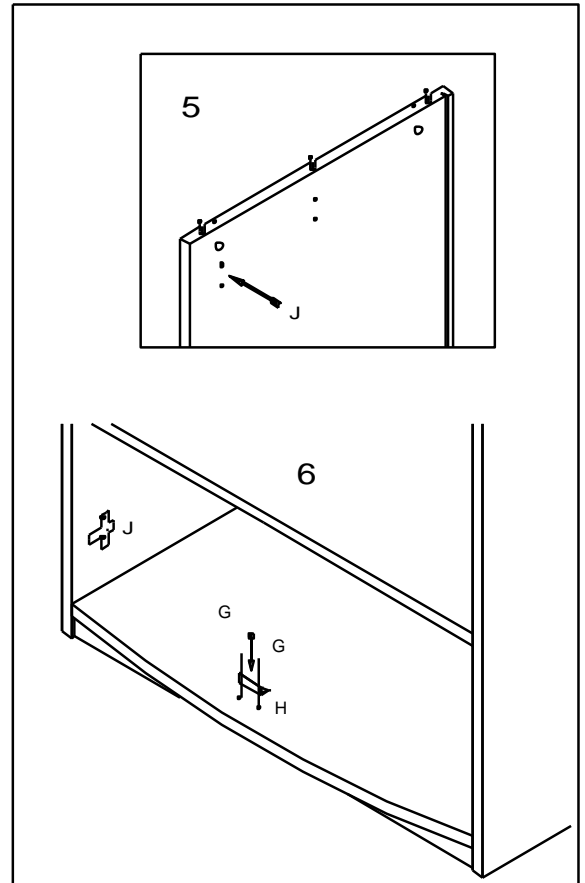
**2.** Insert cam bolt A to 5mm holes on sides. Insert cam C to 15mm holes on shelf and bottom. Lay sides on back edge and fit bottom & shelf. Turn cam clockwise to lock.



**3.** Using rear panel connector strip (F), slide back panels into groove at the rear of the carcass. They will be a little proud at the top – this will slot into the top later.

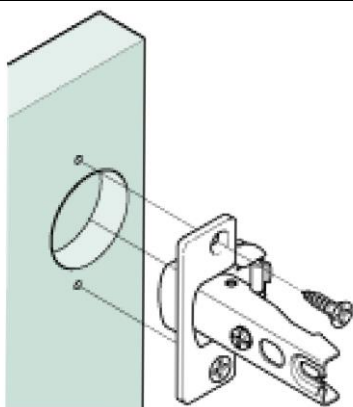


**4.** With care, lay the cabinet top upside down on a clean surface to insert cam bolt (A) into the four 5mm holes. Insert the cam (C) into the 15mm holes at the top of cabinet sides. Carefully fit the top to the sides – ensure the back slots into the groove on the top. Lock the cams by rotating clockwise as before.

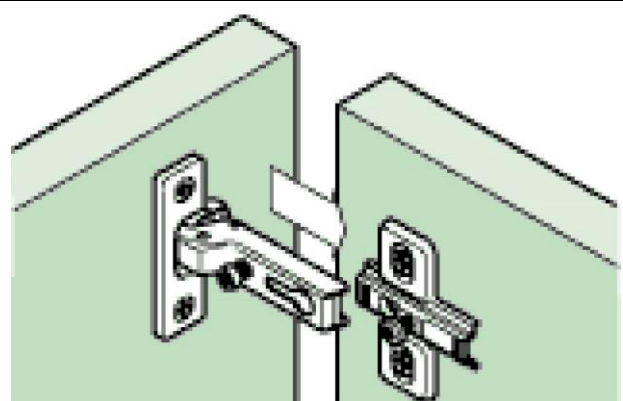


**5.** Attach hinge-mounting plate (J) to the holes shown above. Take care to ensure the longer part of the “crucifix” is to the front of the unit.

**6.** Fix the striking plate (H) to top & bottom using screws (G).

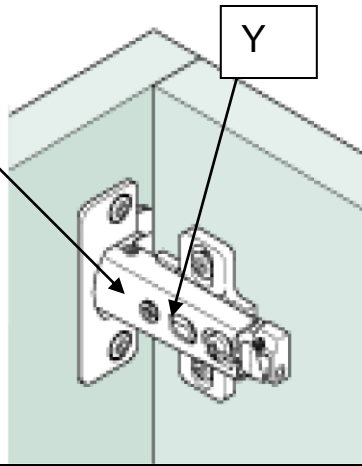


**7.** With care, fix the hinges (I) to the doors using screw (G)



**8.** Fit hinge to mounting plate and tighten screw “Y” (see below)

X

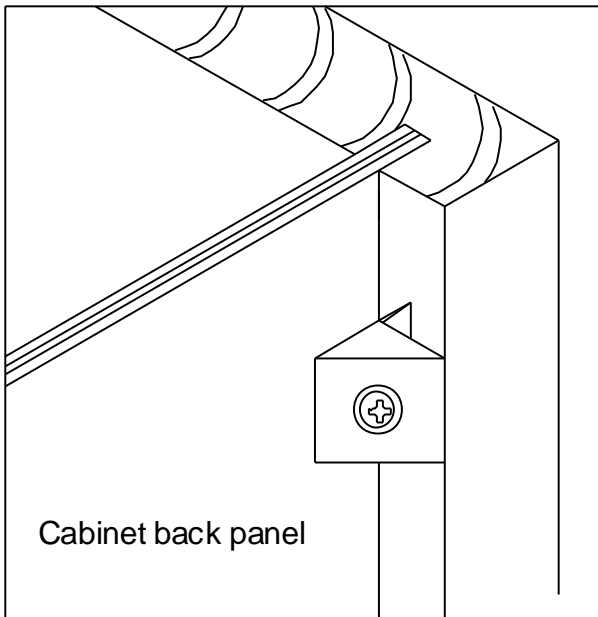


9.

### Hinge adjustment:

X – Lateral adjustment up to 3mm

Y – Vertical adjustment by mounting plate only, after loosening screw  
Front to back adjustment up to 4mm



10. Fix the white rear panel connectors (E) by placing the small white lip between the back panel and the unit, then screwing diagonally into the unit as shown opposite.

Position the connectors: two to the top and bottom and one into each side at approximately half way.

This product is designed to conform to the latest safety regulations and we hope you will be happy with your purchase. Whilst every effort is made to ensure this product reaches you in good condition, in the unlikely event you find a problem with any component, please **do not** attempt to assemble – and contact your retailer. As you will appreciate, we cannot accept liability for damage once an attempt to assemble has been made.

**CLEANING:** - A damp cloth should be sufficient to keep this product in good order. Please do not attempt to use abrasive cleaning materials, as this will incur damage.

Thank you for choosing our product. We hope you will be happy with your purchase.