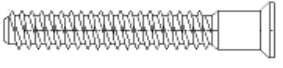

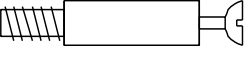
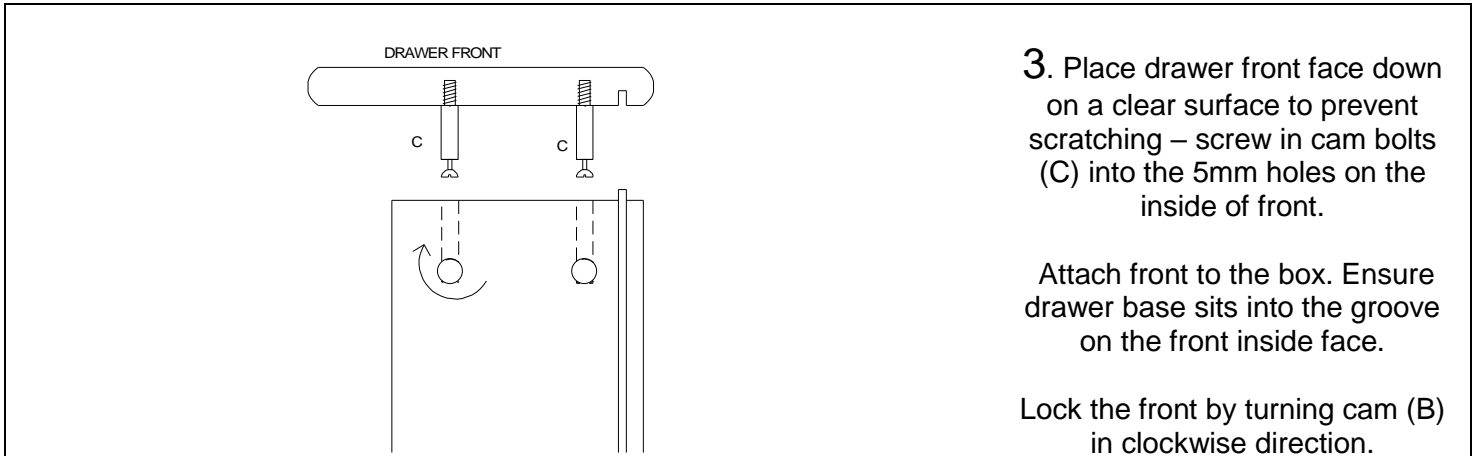
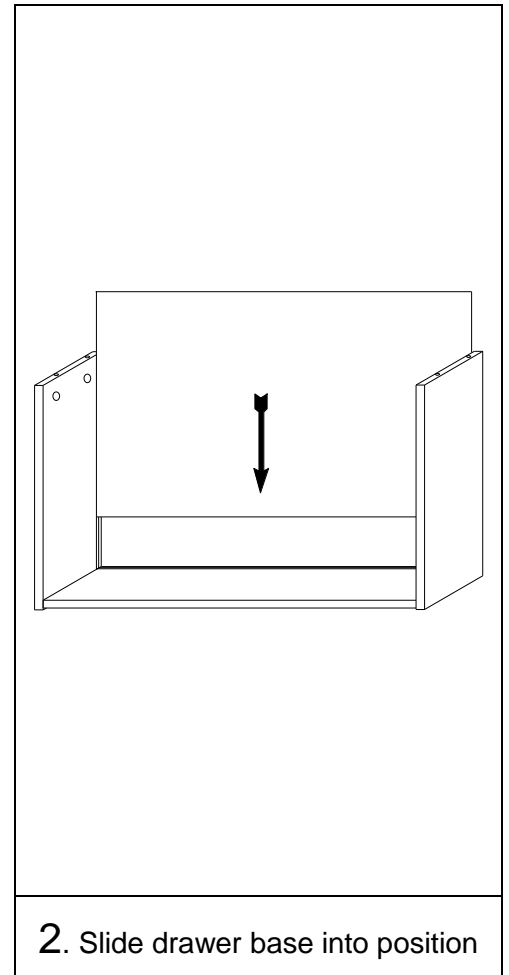
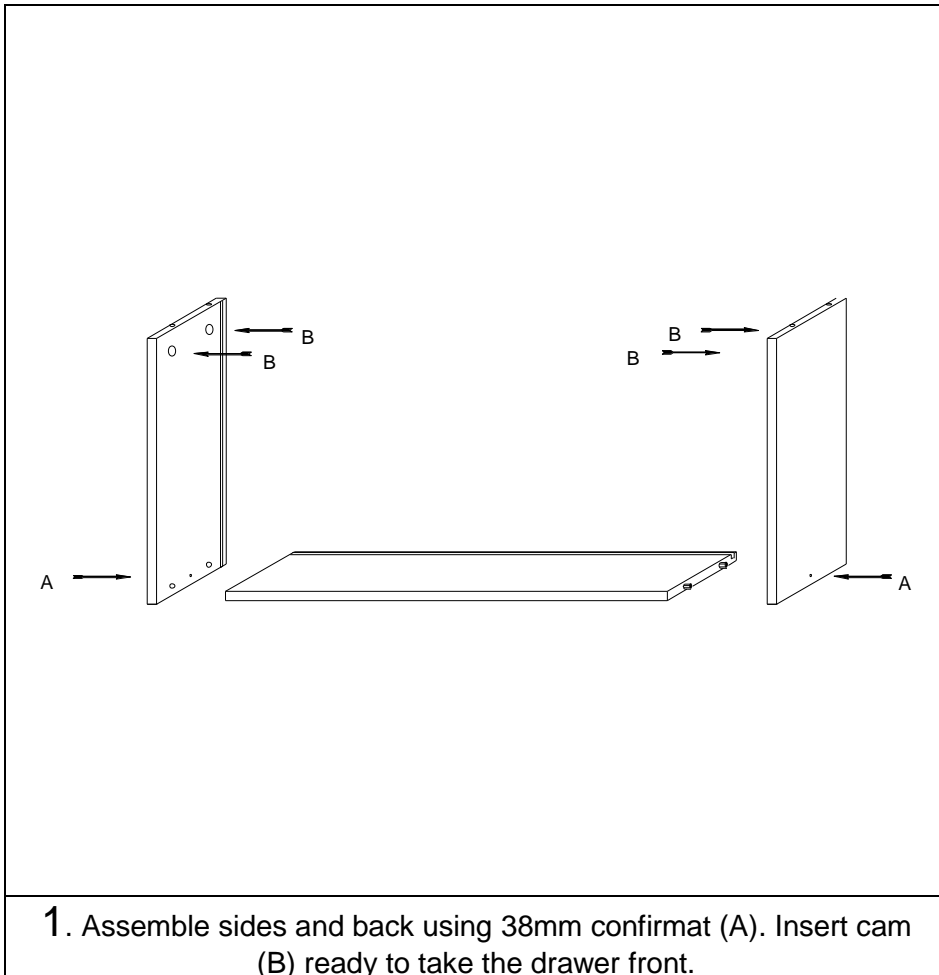


		2 DRAWER	3 DRAWER	5 DRAWER
LH DRAWER SIDE		2	2	4
RH DRAWER SIDE		2	2	4
BACK		2	2	4
LH DEEP DRAWER SIDE			1	1
RH DEEP DRAWER SIDE			1	1
DEEP BACK			1	1
DRAWER BASE		2	3	5
DRAWER FRONT		2	2	4
DEEP DRAWER FRONT			1	1
 A	38mm confirmat	4	8	12
 B	Nickel plated 12mm Cam	8	12	20
 C	Cam bolt	8	12	20

Please read & check through these instructions carefully before proceeding with assembly.



This product is manufactured in the UK primarily using Birch Plywood. As such, you may find small knot or surface defects that are inherent with a natural resource and in no way compromises safety or functionality. Whilst every effort is made to ensure this product reaches you in good condition, in the unlikely event you find a problem with any component, please **do not** attempt to assemble – and contact your retailer. As you will appreciate, we cannot accept liability for damage once an attempt to assemble has been made.