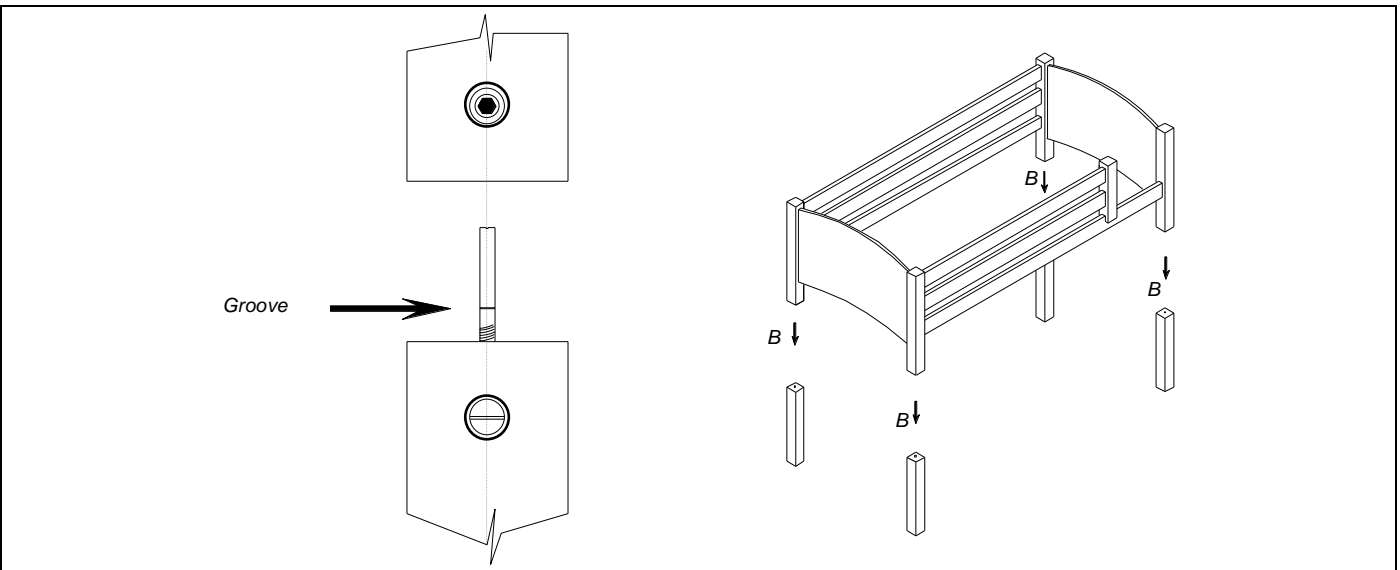


<b>COMPONENTS</b>	
Box 1 of 2 Ladder (Curved or Straight)	2 x Ladder Sides
Box 2 of 2 Legs & Treads	4 x Cabin Conversion Legs 3 x Ladder Treads 1 x Fittings Pack
Tools Required (Not Supplied)	

## 1 - Fitting Cabin Legs To Starter Bed Legs

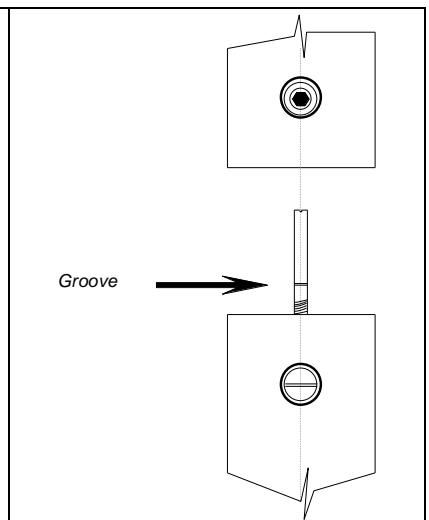
<b>Assembly Components:</b> Box 2 & Fittings Pack	
(B) 4 x Connector Fittings	<p style="font-size: small; text-align: center;">Grub screw &amp; Nut      Steel bar      Threaded Nut</p>
(C) 6 x M6 25mm Bolt (For Ladder Treads)	
(D) 2 x M6 Connecting Bolts (For Ladder To Bed Leg)	
1 x 4mm Allen Key (For Ladder)	
1 x 5mm Allen Key (For Connector Fitting)	



## ASSEMBLY GUIDE

Insert the threaded nut of fitting B into the short leg, then screw the bar of fitting B into the threaded nut. It is important to screw the bar into the threaded nut until the groove is just below the top of the conversion leg. Insert the other nut into the starter bed and place on top. Secure using grub screw & 5mm allen key provided.

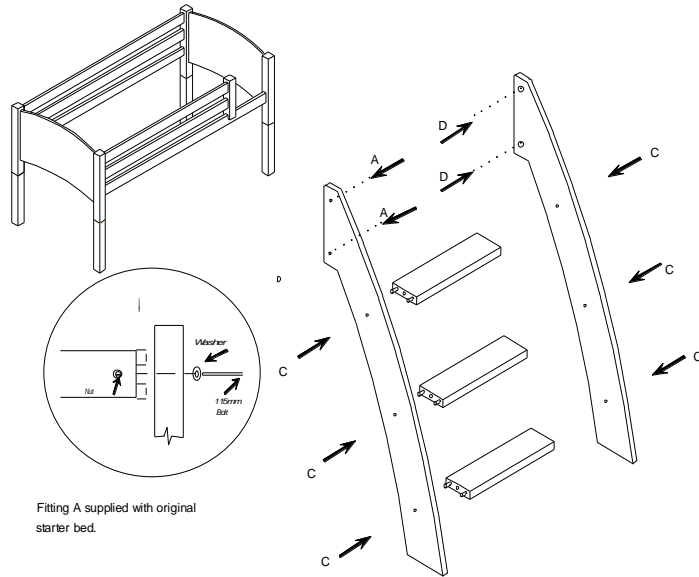
**NB: The connection between the cabin leg and the starter bed leg must be solid.** If this isn't the case (due to manufacturing tolerances), proceed as follows: carefully lift each leg or place the Starter Bed on it's side (2 persons) and twist the cabin leg clockwise until the connection is solid. Repeat on all legs if required.



## 2 – Ladder Assembly & Fitting To Bed

### Assembly Components: Box 1 & Fittings C and D

1. Assemble ladder sides & treads using bolt C & 4mm allen key provided, taking care to avoid marking the ladder sides.
2. Connect to the cabin bed frame using fitting D into the bed and the existing bolt from the starter bed into the barrel nut in the safety rails.



This product is designed to conform to the latest safety regulations and we hope you will be happy with your purchase. This product is primarily produced from quality Scandinavian pine. As such you may find small knot or surface defects that are inherent with a natural resource and in no way compromise safety or functionality. Whilst every effort is made to ensure this product reaches you in good condition, in the unlikely event you find a problem with any component, **please DO NOT ASSEMBLE** – and contact your retailer. As you will appreciate, we cannot accept any liability for damage once an attempt to assemble has been made.

Cleaning: a damp cloth should be sufficient to keep this product in good order. Please do not use abrasive cleaning materials as this will incur damage. Thank you for choosing our product.



Manufactured in the UK