

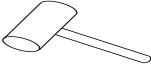




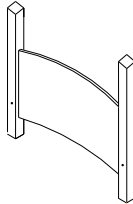
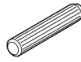


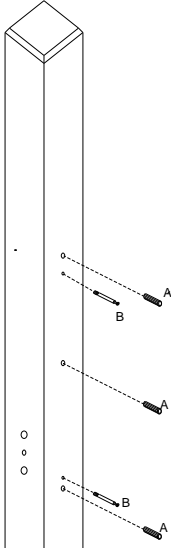
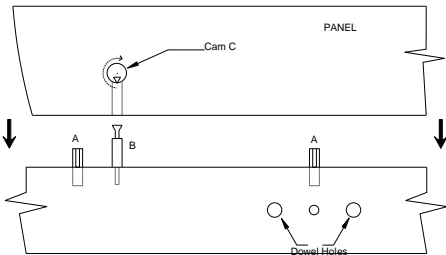
BUNK CONVERSION KIT ASSEMBLY INSTRUCTIONS



Please read & check through these instructions carefully before proceeding with assembly

COMPONENTS	
Box 1 of 4 End Panels	2 x End Panels with 8 Cams Inserted
Box 2 of 4 Ladder (Curved or Straight)	2 x Ladder Sides
Box 3 of 4 Legs, Rails & Treads	2 x Right Handed Bunk Conversion Legs 2 x Left Handed Bunk Conversion Legs 2 x Side Rails (with Rib) 5 x Ladder Treads 1 x Fittings Pack
Box 4 of 4 Bed Slats	1x Set of Slats
Tools Required (Not Supplied)	  

1 - Ends Assembly

Ends Assembly Components: Box 1 & Legs From Box 3 Fittings	
(A) 8mm Dowel Qty = 12	
(B) Cam Pin Qty = 8	
(C) Cam (Already In Panel) Qty = 8	
1) 	2) 

1) Place legs on a flat surface taking care not to scratch. Insert 8mm dowels (A) into holes with light hammer.

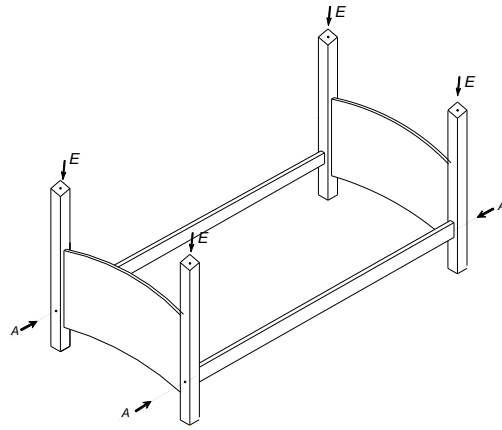
Screw cam pins (B) carefully into 5mm holes, to top of the thread, using cross slot screwdriver. Repeat process for the other three legs.

2) Ensure cams (C) are inserted in the panel with the arrow pointing to the edge. Carefully locate the panel onto the dowels and cam pins. When in place, turn the cam clockwise with cross-slot screwdriver to lock.

Ensure the legs are attached to the panel in pairs ie: dowel holes are facing the same way.

2 – Fitting Rails & Slats

Bed Assembly Components:
 Assembled Ends (See Overleaf)
 Side Rails From Box 3 & Box 4 (Slats)
 Fittings



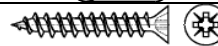
(A) 4 x M6 115mm Bolt



(B) 4 x M6 Barrel Nut



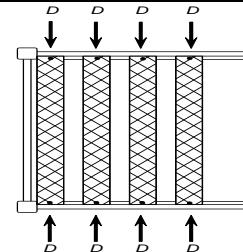
(D) 24 x 38mm Woodscrew



1 x Allen Key (4mm)



1. Locate the 2 side rails into one pre-assembled bed end with mattress rail rib to the bottom.
2. Fit the other pre-assembled bed end.
3. Secure rails M6 bolt (A) through leg and into barrel nut (B). Use Allen Key provided to tighten.
4. Secure mattress slats as described opposite.
5. We recommend that bolts are checked & tightened at regular intervals.



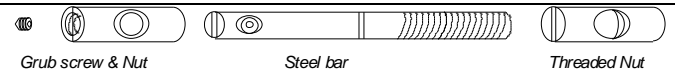
Mattress Slat Base

Spread the slats out across the ribs on the side rails ensuring the gap between each rail is greater than 60mm, but no more than 75mm (The webbing between the slats defines this dimension, when taught). Fix the slats to the rib using screws (D).

3 – Fitting To Starter Bed

Assembly Components:
 Fittings Pack & Pre-Assembled Lower Bunk (See 2 – Above)

(E) 4 x Connector Fittings

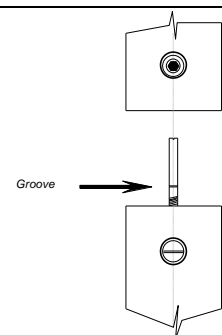


1 x 5mm Allen Key (For Connector Fitting)



ASSEMBLY GUIDE (Bunk Conversion To Starter Bed)

Insert the threaded nut of fitting E into the long leg, then screw the bar of fitting E into the threaded nut. It is important to screw the bar into the threaded nut until the groove is just below the top of the conversion leg. Insert the other nut into the starter bed and place on top. Secure using grub screw & 5mm allen key provided.



4 - Ladder Assembly & Fixing To Bed

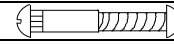
Assembly Components:

Box 2 & Fittings C and D

(C) 10 x M6 25mm Bolt (For Ladder Treads)



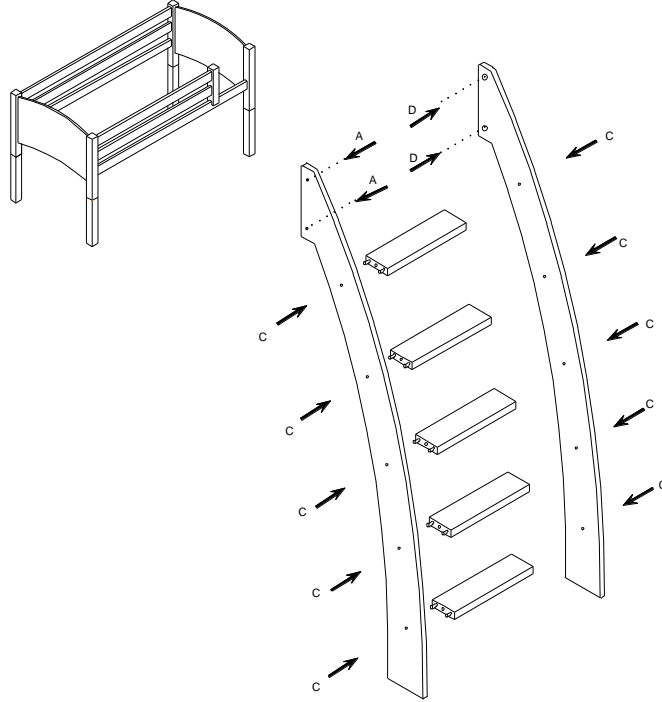
(D) 2 x M6 Connecting Bolts (For Ladder To Bed Leg)



1 x 4mm Allen Key (For Ladder)



1. Assemble ladder sides & treads using bolt C & 4mm allen key provided, taking care to avoid marking the ladder sides.
2. Connect to the bunk bed frame using fitting D into the bed and the existing bolt from the starter bed into the barrel nut in the safety rails.



This product is designed to conform to the latest safety regulations and we hope you will be happy with your purchase. This product is primarily produced from quality Scandinavian pine. As such you may find small knot or surface defects that are inherent with a natural resource and in no way compromise safety or functionality. Whilst every effort is made to ensure this product reaches you in good condition, in the unlikely event you find a problem with any component, **please DO NOT ASSEMBLE** – and contact your retailer. As you will appreciate, we cannot accept any liability for damage once an attempt to assemble has been made.

Cleaning: a damp cloth should be sufficient to keep this product in good order. Please do not use abrasive cleaning materials as this will incur damage. Thank you for choosing our product.



Manufactured in the UK