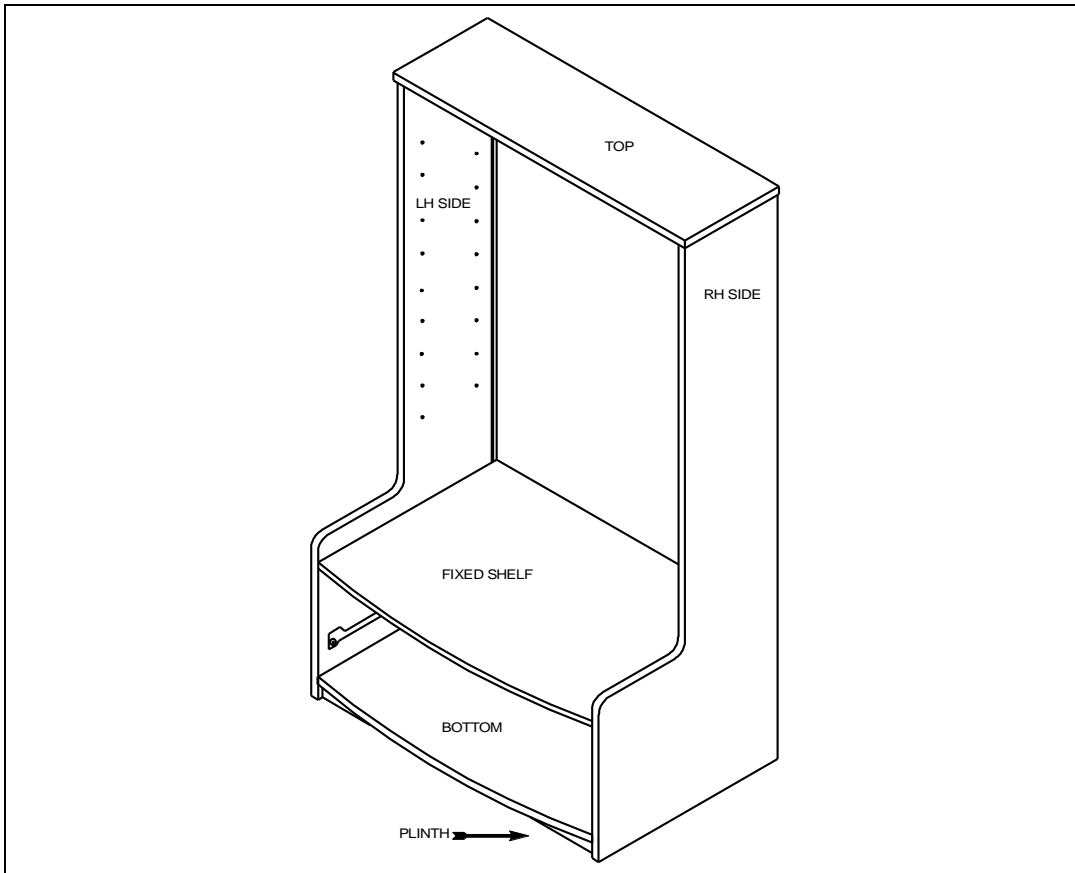


# Assembly Instructions

## Bookcase



### COMPONENTS;

- 1 x RH side
- 1 x LH side
- 1 x Bottom

1 x bottom plinth

- 1 x fixed Shelf
- 2 x Adjustable shelf
- 1 x Top

- 2 x 3mm thick back panels
- Drawers in Box 2
- 1 x box fittings
- (Contents as below)

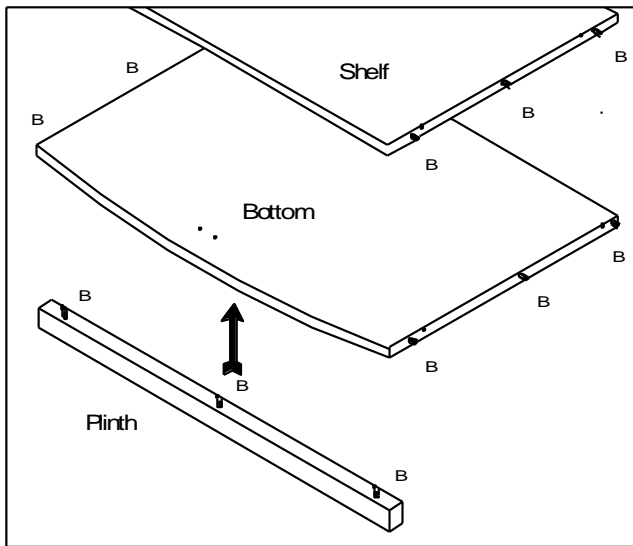


Tool required

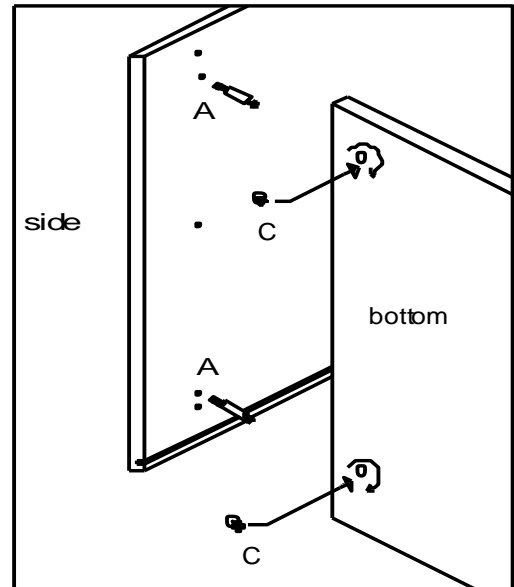
	16 x cam bolt	A
	12 x cam	C
	8 x brass shelf support	D

	31 x 8mm dowel (pre-inserted into panels)	B
	4 x nickel plated cam for drawer front	H
	1 x "H" profile rear panel connector	F
	38mm confirmat	M

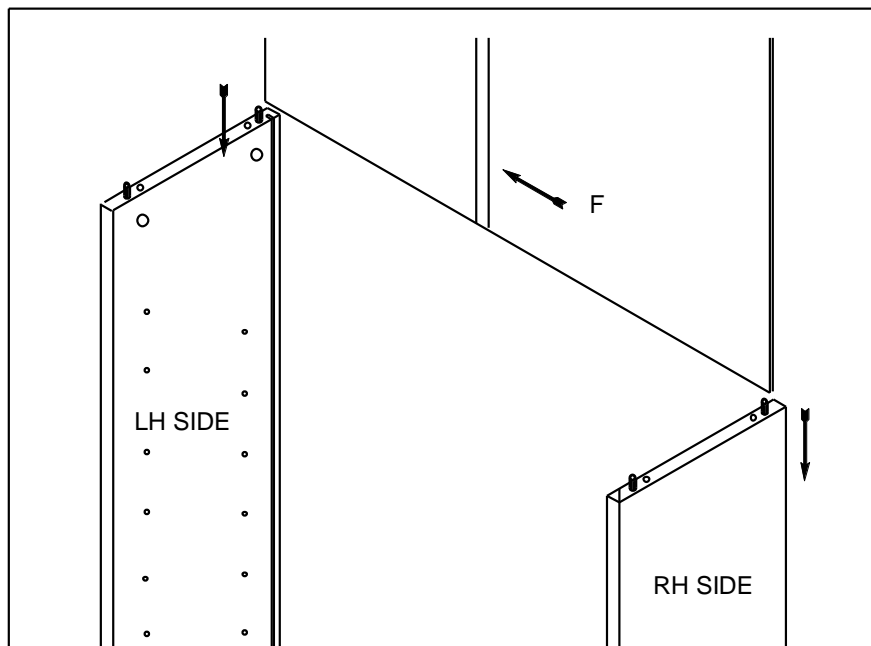
Please read & check through these instructions carefully before proceeding with assembly.



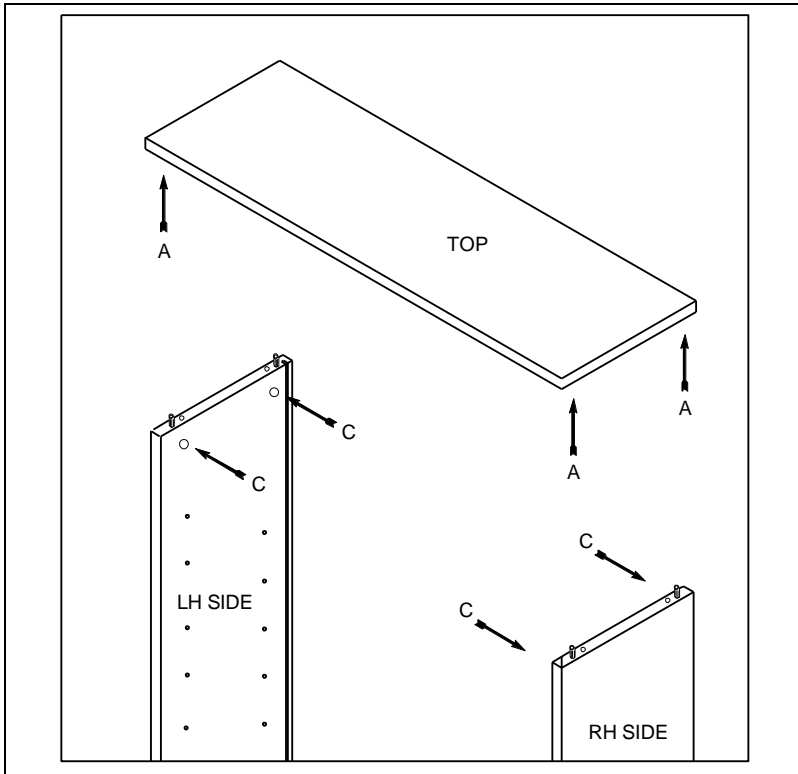
**1.** Press fit plinth into underside of bottom, locating pre-inserted plinth dowels (B) into holes in bottom panel.



**2.** Insert cam bolt A to 5mm holes on sides. Insert cam C to 15mm holes on shelf and bottom. Lay sides on back edge and fit bottom & shelf. Turn cam clockwise to lock.



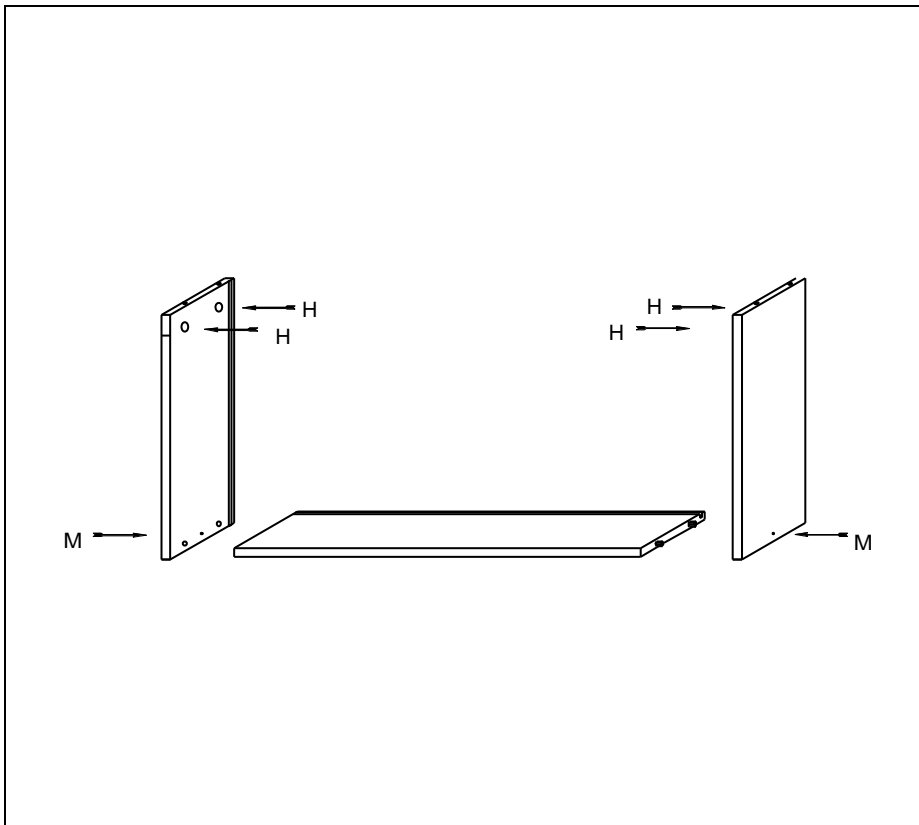
**3.** Using rear panel connector strip (F), slide back panels into groove at the rear of the carcass. They will be a little proud at the top – this will slot into the robe top later.



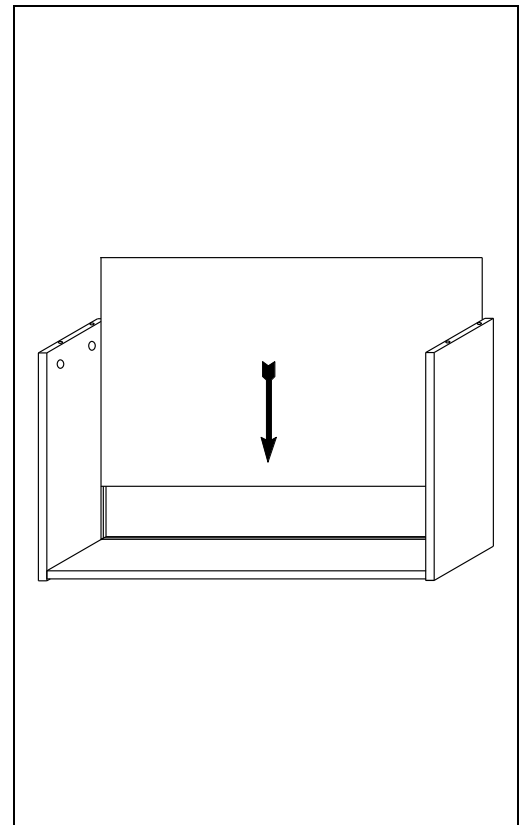
**4.** With care, lay the top upside down on a clean surface to insert cam bolt (A) into the four 5mm holes. Insert the cam (C) into the 15mm holes at the top of sides. Carefully fit the top to the sides – ensure the back slots into the groove on the top. Lock the cams by rotating clockwise as before. Nearly there!

**5.** Insert shelf supports (D) where required and position shelves

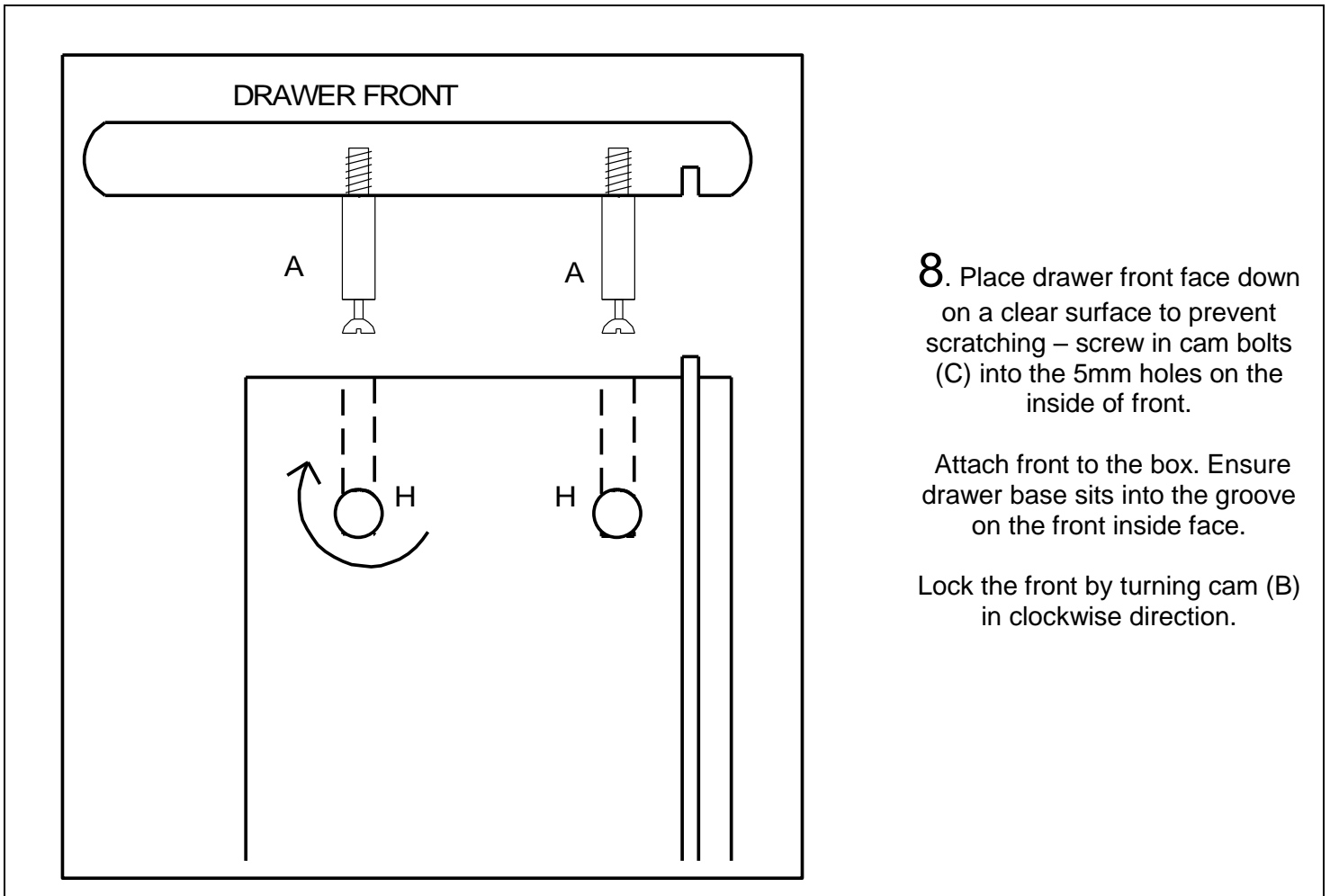
### Drawer Box Assembly



**6.** Assemble sides and back using 38mm Confirmat (M) Insert cam (B) ready to take the drawer front.



**7.** Slide drawer base into position



**8.** Place drawer front face down on a clear surface to prevent scratching – screw in cam bolts (C) into the 5mm holes on the inside of front.

Attach front to the box. Ensure drawer base sits into the groove on the front inside face.

Lock the front by turning cam (B) in clockwise direction.

This product is designed to conform to the latest safety regulations and we hope you will be happy with your purchase. Whilst every effort is made to ensure this product reaches you in good condition, in the unlikely event you find a problem with any component, please **do not** attempt to assemble – and contact your retailer. As you will appreciate, we cannot accept liability for damage once an attempt to assemble has been made.

**CLEANING:** - A damp cloth should be sufficient to keep this product in good order. Please do not attempt to use abrasive cleaning materials, as this will incur damage.

Thank you for choosing our product. We hope you will be happy with your purchase.