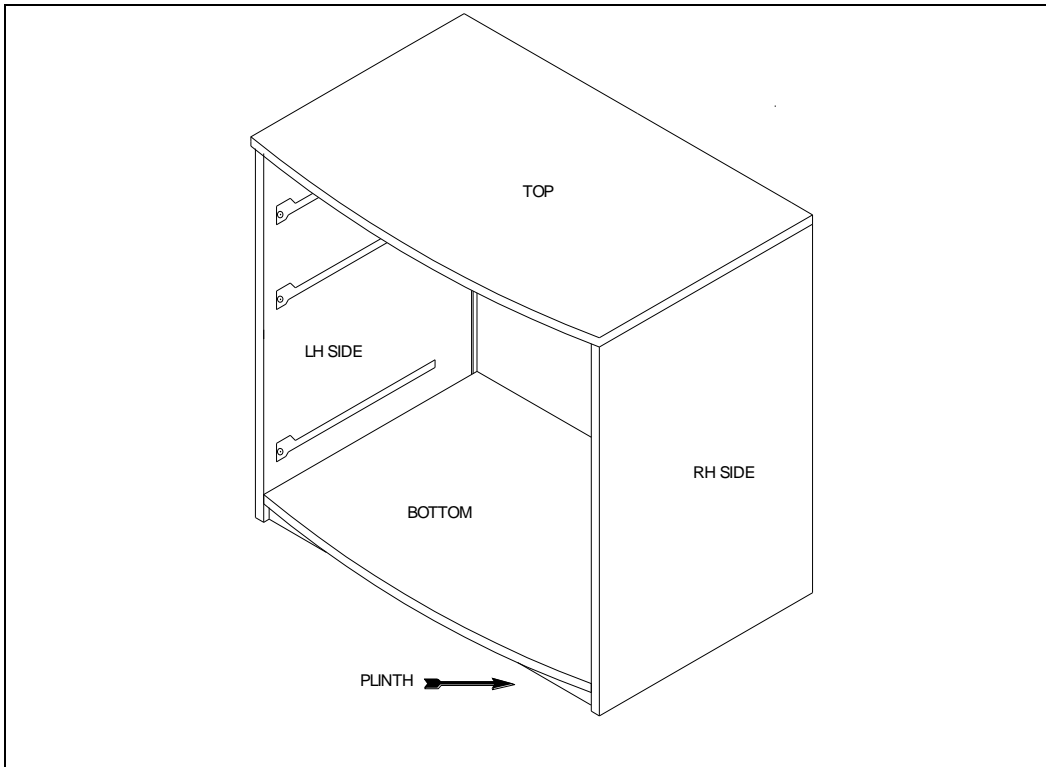


Assembly Instructions

3 Drawer Chest

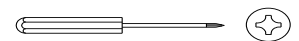


COMPONENTS;

- 1 x RH side
- 1 x LH side
- 1 x Bottom

1 x bottom plinth

- 1 x Top
- 2 x 3mm thick back panels
- Doors in Box 2
- 3 X Drawer base
- 1 x box fittings (contents as below)



Tool required

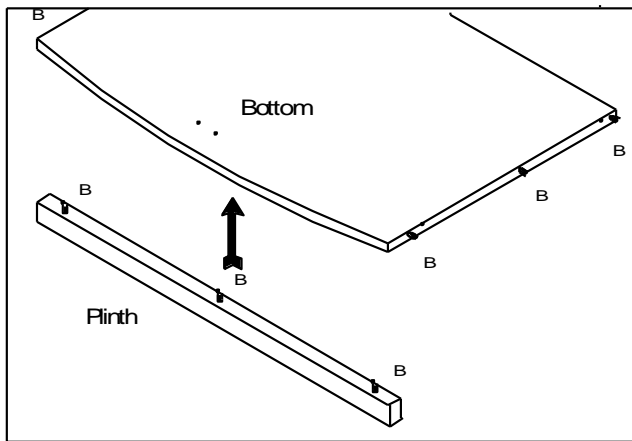
	8 x cam bolt	A
	8 x cam	C
	6 x rear panel connector	

	12 x 8mm dowel (pre-inserted into panels)	B
	1 x "H" profile rear panel connector	D

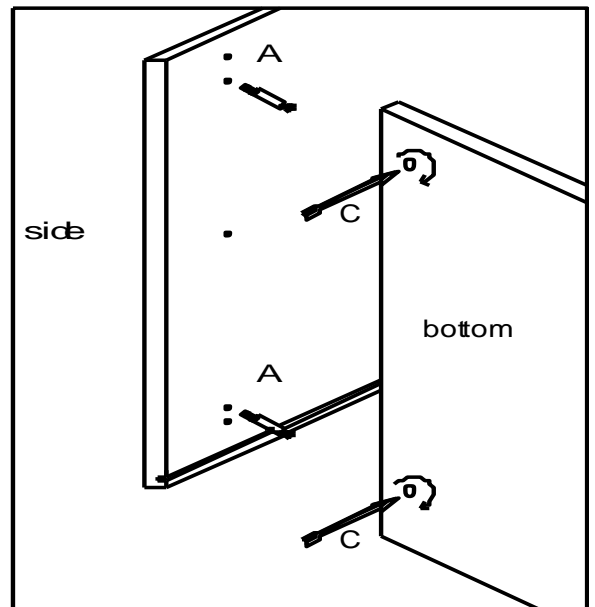
Please read & check through these instructions carefully before proceeding with assembly.

This product is designed to conform to the latest safety regulations and we hope you will be happy with your purchase. Whist every effort is made to ensure this product reaches you in good condition, in the unlikely event you find a problem with any component, please **do not** attempt to assemble – and contact your retailer. As you will appreciate, we cannot accept liability for damage once an attempt to assemble has been made.

CLEANING: - A damp cloth should be sufficient to keep this product in good order. Please do not attempt to use abrasive cleaning materials, as this will incur damage. Thank you for choosing our product. We hope you will be happy with your purchase.

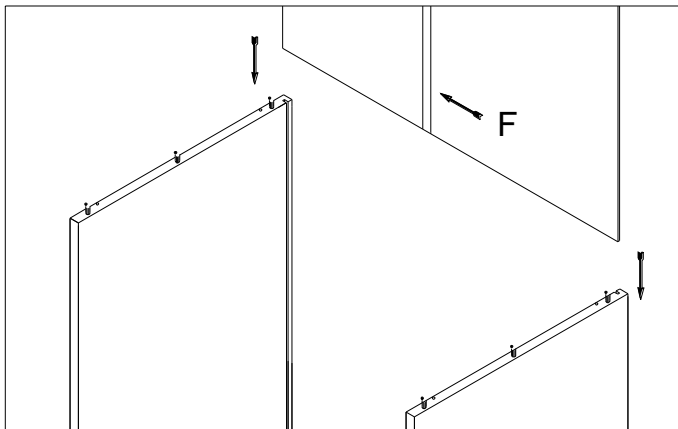


1. Press fit plinth into underside of bottom, locating pre-inserted plinth dowels (B) into holes in bottom panel.

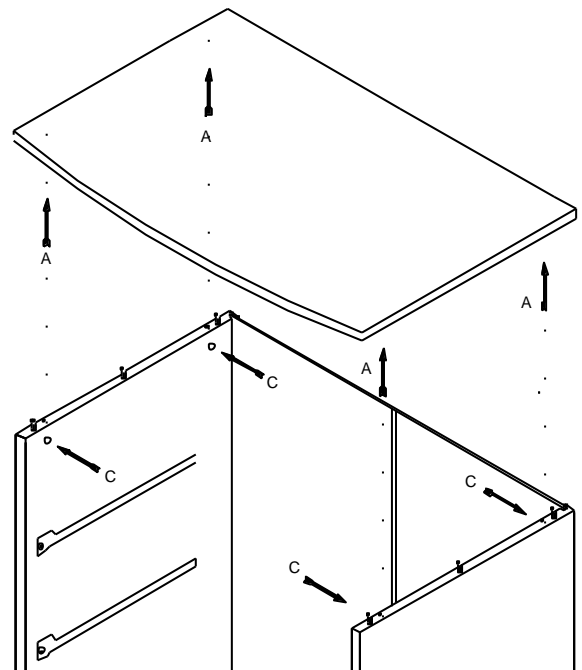


2. Insert cam bolt A to 5mm holes on sides. Insert cam C to 15mm holes on top & bottom.

Turn cams clockwise to lock

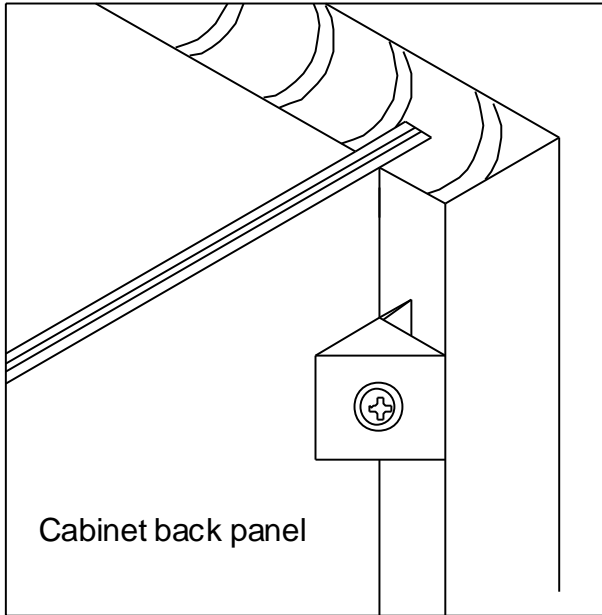


3. Using rear panel connector strip (D), slide back panels into groove at the rear of the carcass. They will be a little proud at the top – this will slot into top later.



4. With care, lay the top upside down on a clean surface to insert cam bolt (A) into the four 5mm holes.

Insert the cam (C) into the 15mm holes at the top of sides. Carefully fit the top to the sides – ensure the back slots into the groove on the top. Lock the cams by rotating clockwise as before.



5. Fix the white rear panel connectors by placing the small white lip between the back panel and the unit, then screwing diagonally into the unit as shown opposite.

Position the connectors: two to the top and bottom and one into each side at approximately half way.